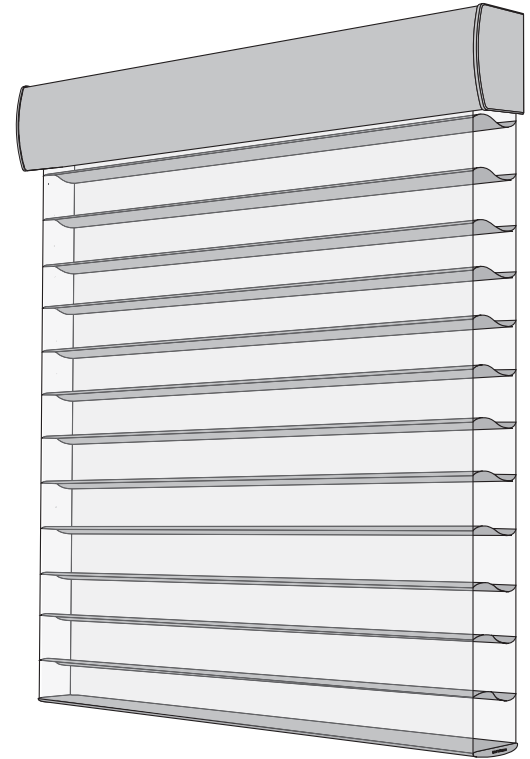


Lutron® Horizontal Sheer Blinds

Lutron® Sivoia® QS Horizontal Sheer Blinds are operated by ultra-quiet, precision control drives. Horizontal sheer blinds pair sheers with fabric vanes for the perfect amount of filtered sunlight inside, while maintaining a view to the outside. The drive is housed in the shade tube providing smooth, quiet movement, and keeping track of the blind's position.

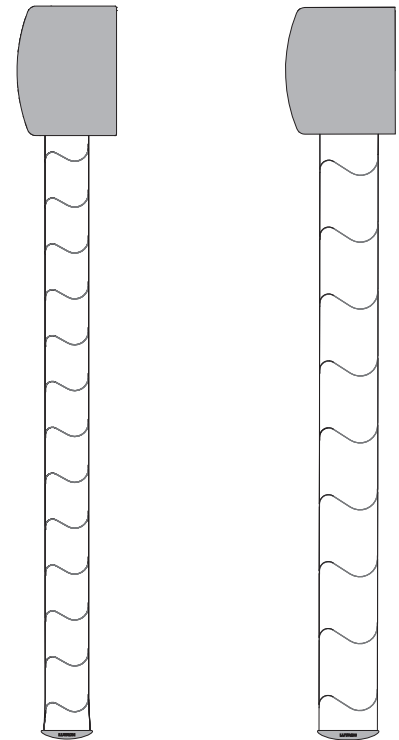
Features

- Soft, elegant look and near-silent movement
- Outer sheer layers diffuse views to a home's interior, even when the vanes are open
- Accurate vane alignment across adjacent blinds
- Dual-function drive operates at reduced speed during tilt motion for precise tilt angle control
- Shade brackets offer individual vertical adjustment for installations where leveling is needed
- Simple installation for both inside mount and outside mount applications
- Blind components are designed for ultra-quiet operation (will not exceed 38 dBA measured 3 ft [1 m] from drive unit)
- Compatible with Sivoia® QS and Sivoia® QS Wireless systems
- Optional fabric-wrapped fascia matches the blind's vanes for a finished look. Order blinds without a fascia to recess into a pocket or install under an existing top treatment.



Fabrics

- 2 inch vanes in light-filtering, neutral colors
 - 2 inch vanes in room-darkening, neutral colors
 - 3 inch vanes in light-filtering, neutral colors
 - 3 inch vanes in room-darkening, neutral colors
- See the Fashion Fabrics binder or visit www.lutron.com/fabrics



2 Inch Vane

3 Inch Vane

Specifications

Regulatory

- cULus (USA, Canada)
- NOM (Mexico)
- CE (European Union)

Environment

- For indoor use only
- Temperature: 32° F to 104° F (0° C to 40° C)
- Relative Humidity: <90% non-condensing

Compatible Controls

- Pico® wireless control
- Serena® 4-Group wireless control
- seeTouch® RF keypads
- GRAFIK Eye® QS
- RadioRA 2®
- HomeWorks® QS

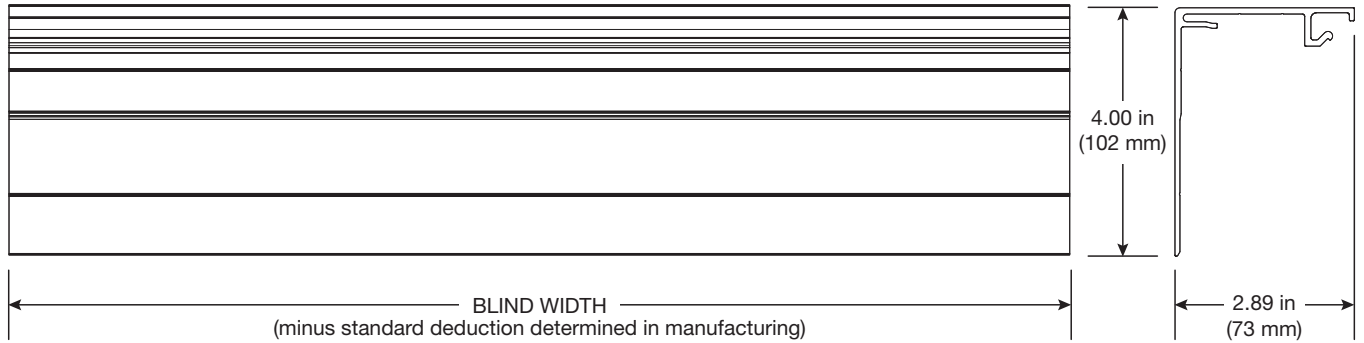
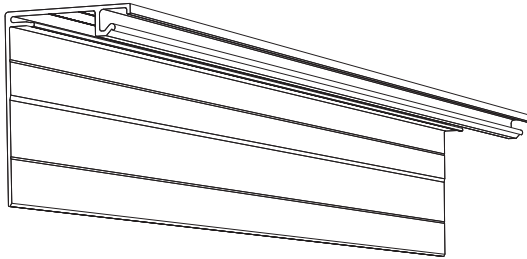
Job Name:

Model Numbers:

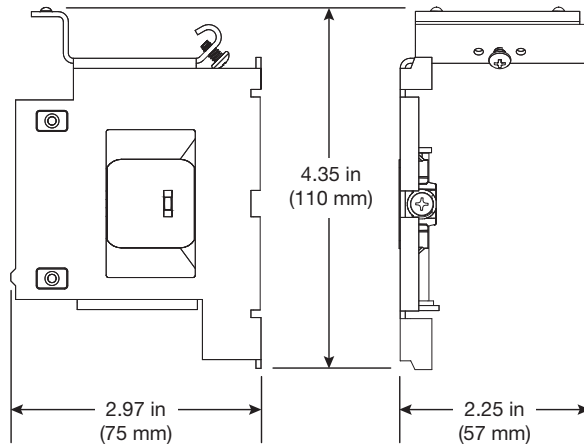
Job Number:

System Component Dimensions:

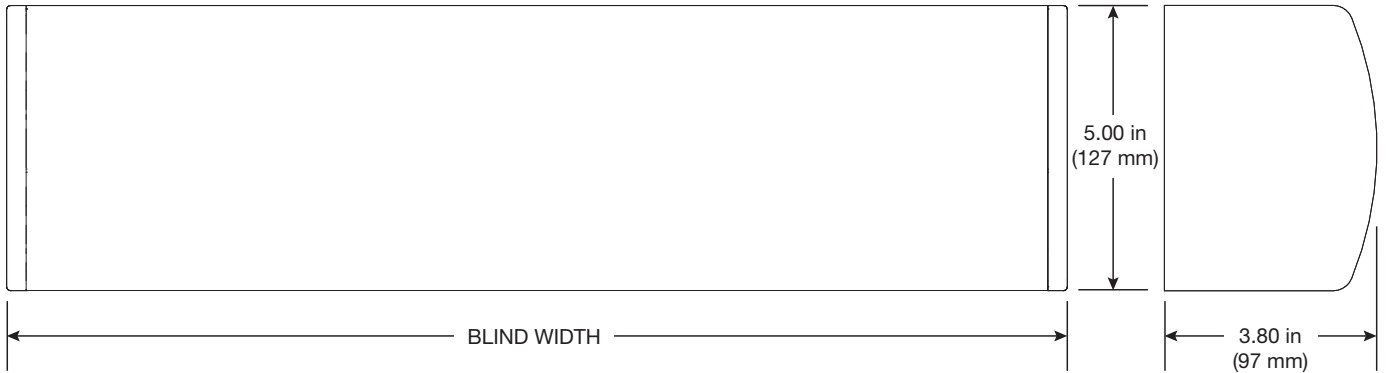
2 inch Top Back Cover:



2 inch Blind Brackets:



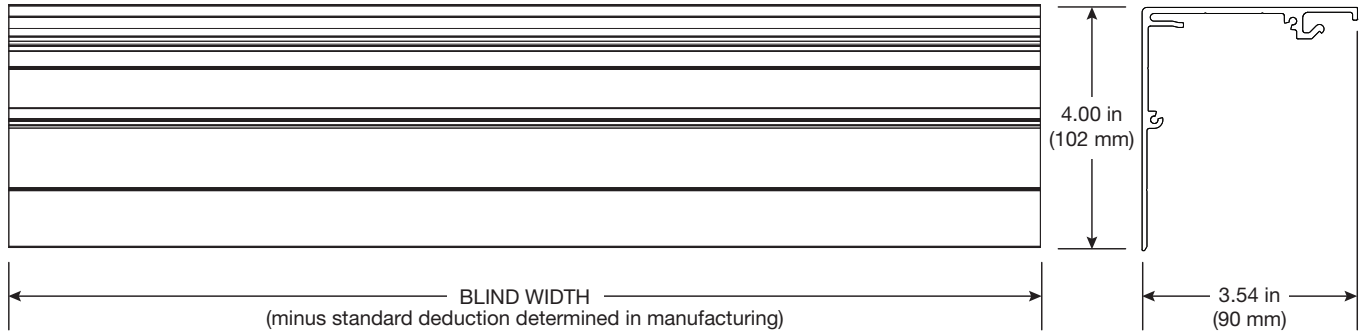
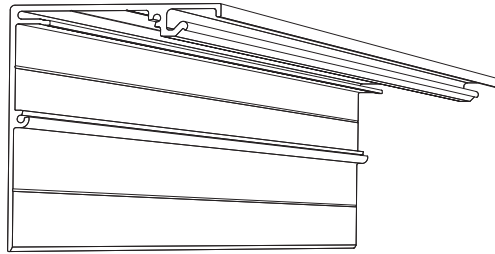
2 inch Optional Fabric Wrapped Fascia with End Caps:



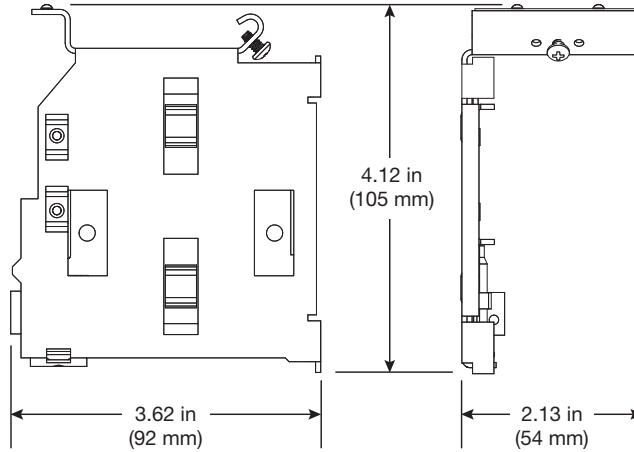
Job Name: Job Number:	Model Numbers:
------------------------------	----------------

System Component Dimensions:

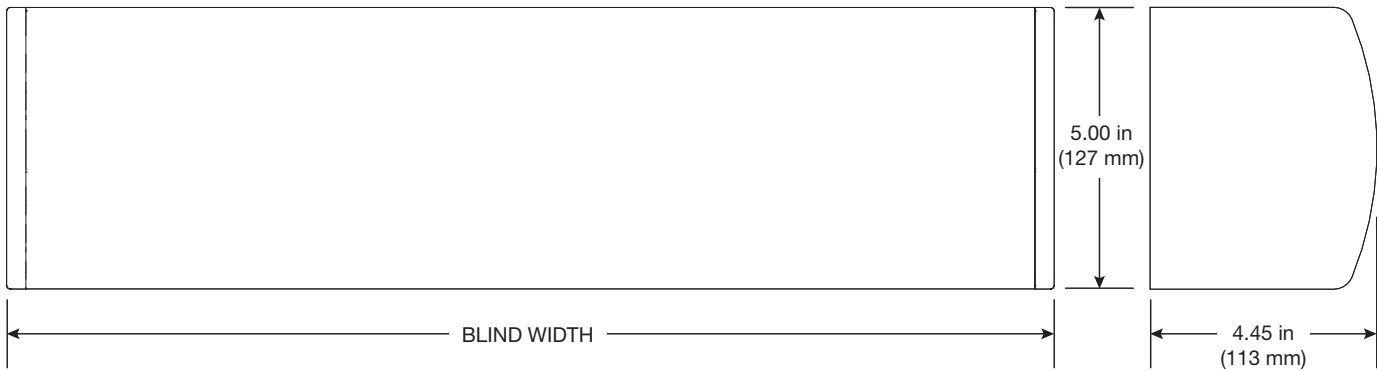
3 inch Top Back Cover:



3 inch Blind Brackets:



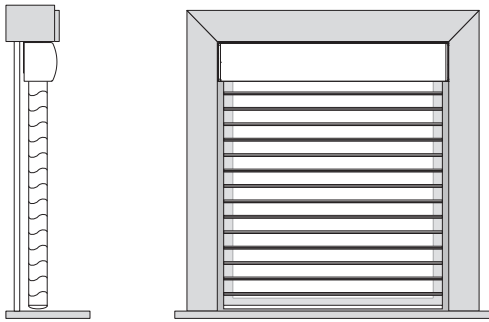
3 inch Optional Fabric Wrapped Fascia with End Caps:



Job Name:	Model Numbers:
Job Number:	

Mounting Options

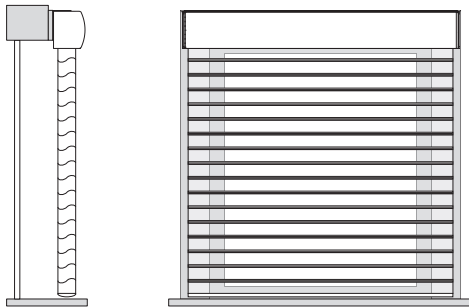
Depending on the window dimensions, the shade can be mounted inside the window frame or outside the window frame.



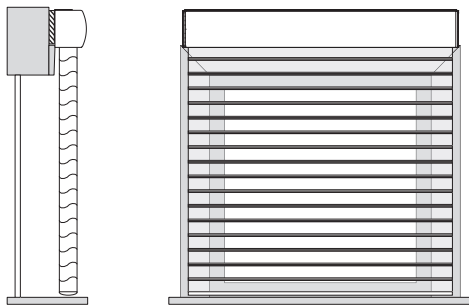
INSIDE MOUNT

To use inside mount, the window depth must be at least: 2 1/4 in (57 mm) for both 2 in and 3 in vane

For fully recessed installation, the window depth must be at least: 3 3/4 in (95 mm) for 2 in vane, 4 1/2 in (114 mm) for 3 in vane



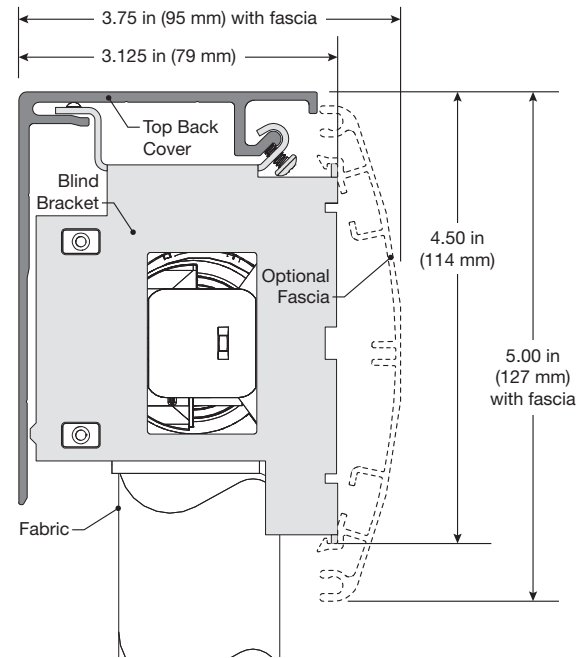
OUTSIDE MOUNT ON TRIM



OUTSIDE MOUNT ABOVE TRIM

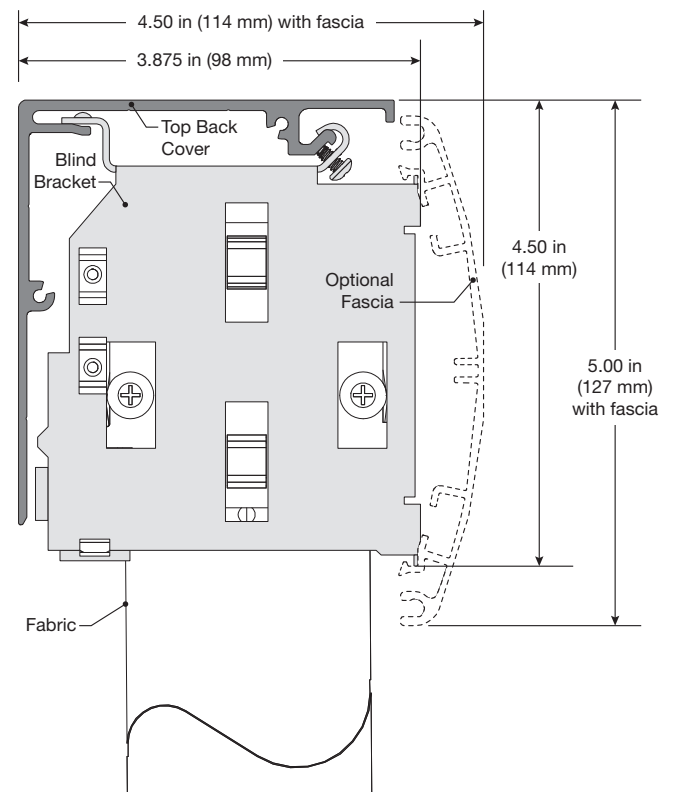
Installed Profile: 2 inch Blind

(Fascia end caps and some other details omitted for clarity.)



Installed Profile: 3 inch Blind

(Fascia end caps and some other details omitted for clarity.)



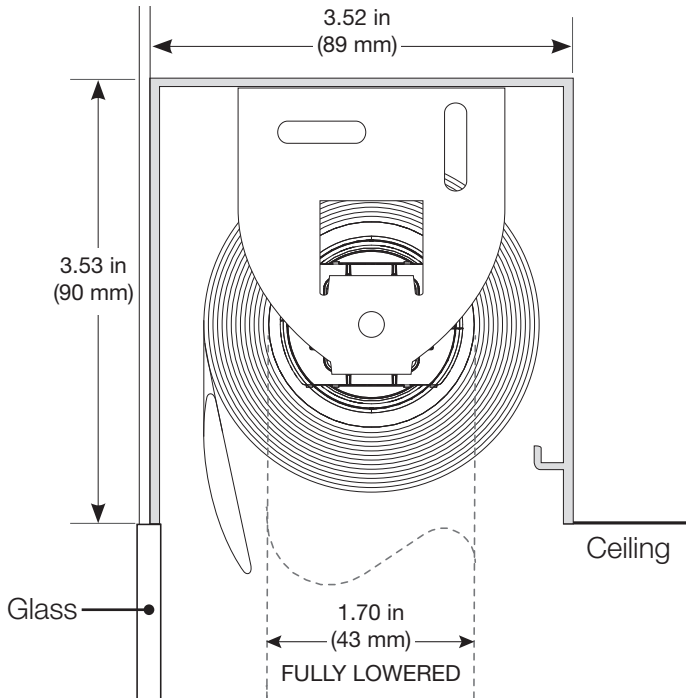
Job Name:	Model Numbers:
Job Number:	

Pocket Installation

IMPORTANT: At this time, there is no standard pocket-mount configuration offered for Horizontal Sheer Blinds. The diagrams below are provided as a general guide for installations where pocket mounting is required. For additional information, please contact Lutron Customer Service.

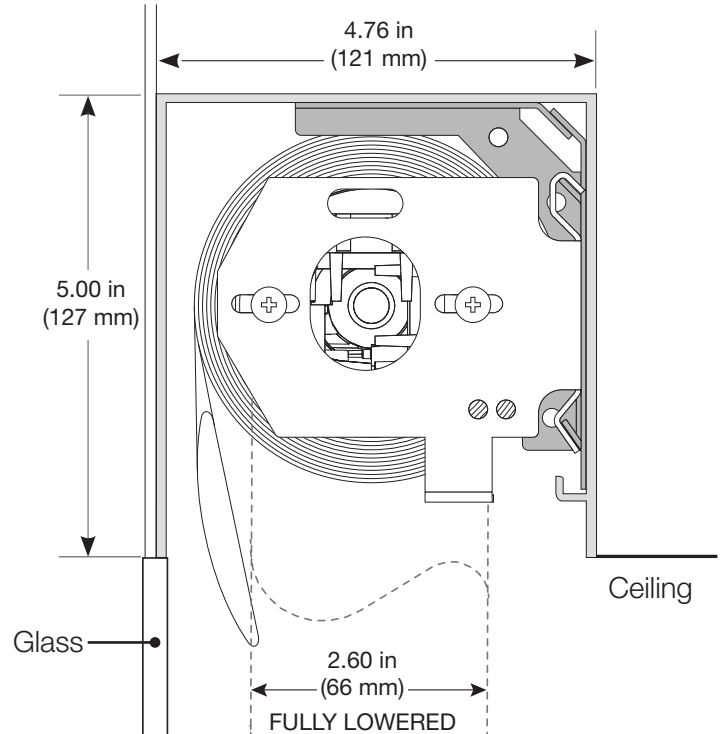
Minimum Pocket Size: 2 inch Blind

(Using standard Roller 64™ mounting brackets.)



Minimum Pocket Size: 3 inch Blind

(Using standard Roller 100™ pocket-mount brackets.)



NOTE: Due to the fabric expansion in the fully-lowered position, a pocket flap cannot be used with Horizontal Sheer Blinds.

Job Name:	Model Numbers:
Job Number:	